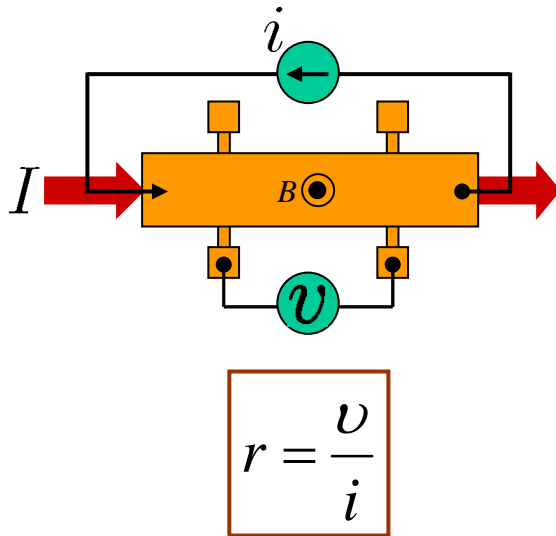


Magnetotransport in Two-dimensional Electron Systems in dc Electric Fields

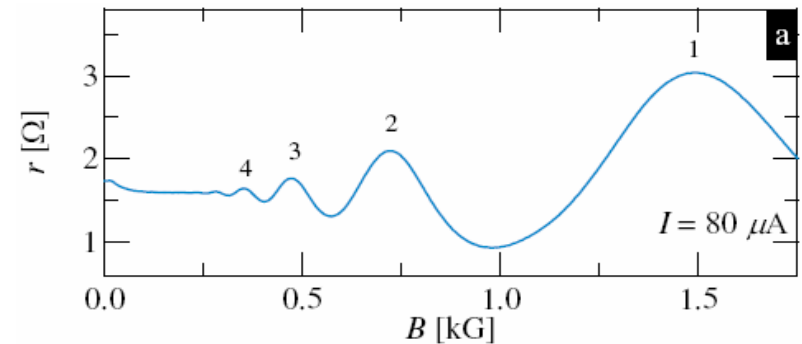
Michael Zudov (PI), Zhang, Chiang, Physics & Astronomy, University of Minnesota
Pfeiffer, West, Bell Labs

- 2DES in magnetic and dc electric fields
 - ◆ Hall-field induced resistance oscillations
 - ◆ Due to commensuration of cyclotron energy and electrical energy drop between Hall-field tilted Landau levels

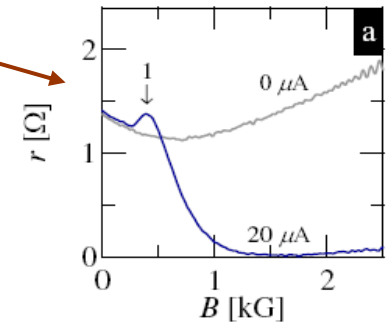


● MAJOR OBSERVATIONS

- ◆ New resonant condition
- ◆ Resistance suppression by low current and separated Landau levels



Resistance suppression



● Publication: Zhang, Chiang, Zudov, Pfeiffer, West, Phys. Rev. B 75, 041304(R) (2007)