

Laser & Microoptics Systems Group

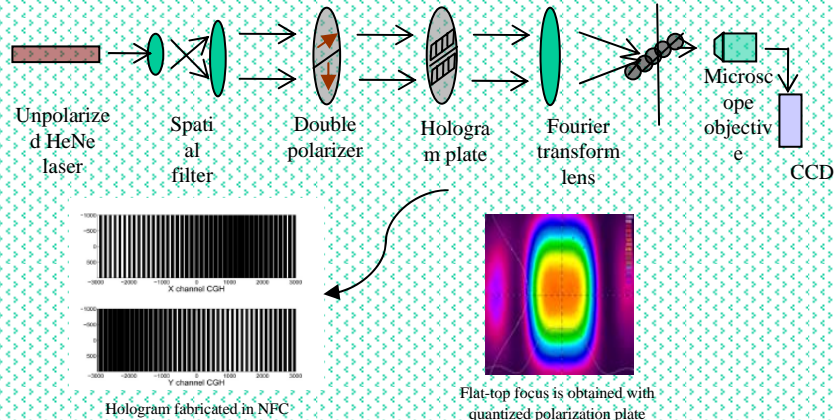
James Leger (PI), Wei Zhou, Bing Hao, Jordan Burch,

Brad Tiffany & Mercedeh Khajavikhan

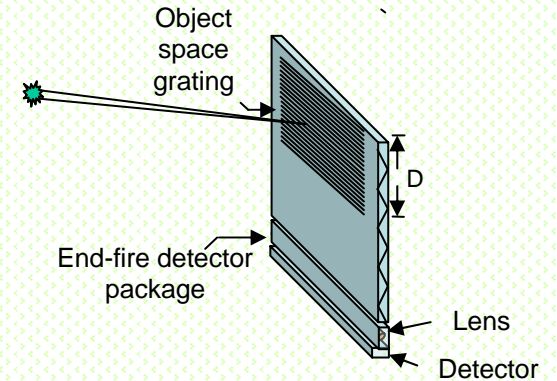
Electrical & Computer Engineering, University of Minnesota

NNIN Facility utilized: Nanofabrication Center

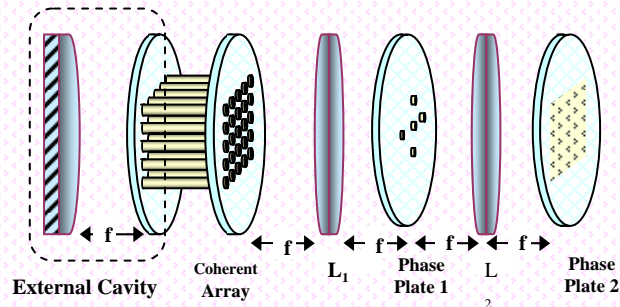
Optical Beam Shaping and Polarization Control



Imaging "Skin" using Grating Coupler

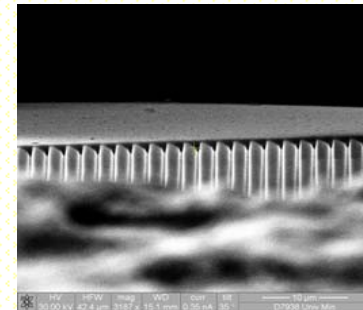


Holographic Phase Plate for Laser Beam Combining



Thickness information across the phase plates mapped into intensity information using holographic techniques. Holographic phase plates have been fabricated in NFC.

Miniature Tomographic Imaging Spectrometer



Grating fabricated in NFC on GRIN rod lens prismatic surface with Focus Ion Beam etching